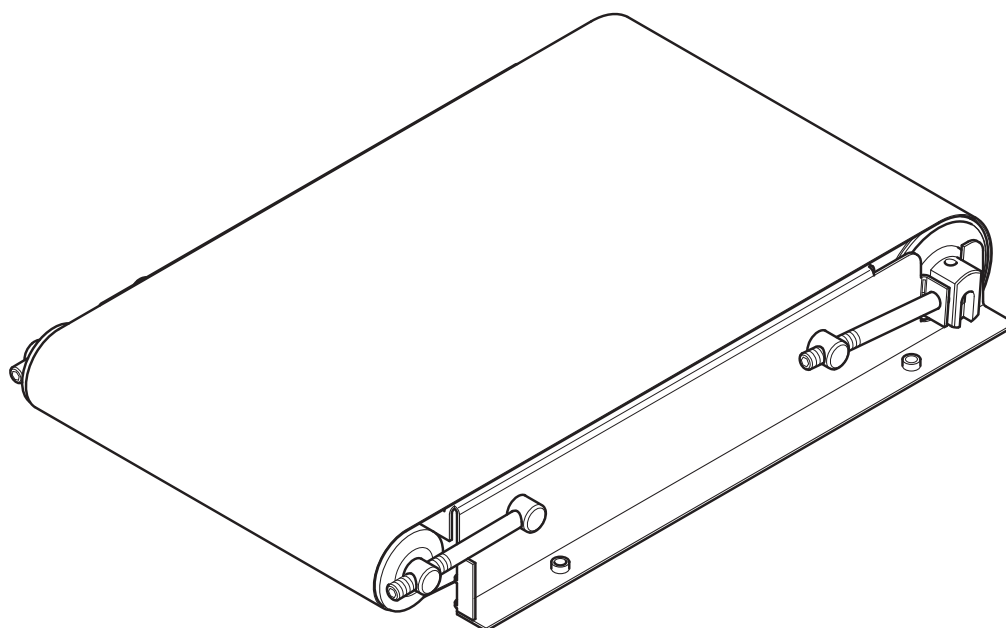


INSPIRED BY EFFICIENCY



User Manual
Interroll Cassette
Type 6C
L, U, CD, T, W and C profile

Manufacturer

Interroll Joki A/S
Hammerholmen 2-6
2650 Hvidovre
Denmark
Telephone: +45 36 88 33 44
Fax: +45 36 88 33 71
www.interroll.com

Copyright of installation and operating instructions

The copyright of these installation and operating instructions remains with the Interroll Group. The installation and operating instructions contain technical regulations and drawings that may not be reproduced partially or in full, transmitted by any means, utilized without permission for purposes of competition or disclosed to third parties.

Table of contents

Introduction.....	5
Notes about working with the installation and operating instructions	5
Contents of these installation and operating instructions	5
Installation and operating instructions are part of the product.....	5
Warning notices in this manual	6
Symbols.....	6
Safety	7
General safety instructions	7
Intended use	7
Unintended use	7
Personnel qualification	8
Operators	8
Service personnel	8
Electricians	8
Dangers.....	8
Bodily injury.....	8
Electricity	8
Rotating parts	8
Working environment	8
Faults during operation.....	8
Maintenance	9
Interfaces to other devices.....	9
Operating modes.....	10
Normal operation.....	10
Special mode	10
Product information.....	11
Components.....	11
Properties.....	11
Type plate.....	12
Product identification.....	14
Technical data	15
Transport and storage	16
Transport.....	16
Storage	16
Assembly and installation	17
Assembly and installation.....	17
Initial startup and operation.....	19
Initial startup	19
Checks before the initial startup.....	19
Operation.....	19
Inspections prior to each operation.....	20
Procedure in case of accident or fault.....	20



Table of contents

Maintenance and cleaning	21
Cleaning.....	21
Maintenance and repair work information.....	21
Adjusting tension and tracking the belt.....	22
Replacing the belt, idler pulley or drum motor	23
Disassembly	24
Installing the belt	24
Maintenance intervals.....	25
Maintenance and inspection list.....	25
Troubleshooting	26
Troubleshooting.....	26
Spare and wear parts	27
Cassette Spare Parts	27
Order information.....	27
Decommissioning and disposal	28
Shutdown.....	28
Disposal.....	28
Appendix	29
Warranty for Interroll Drum Motors and Cassette Systems	29
Restrictions	29
Exceptions	29
Installation Declaration	30

Introduction

Notes about working with the installation and operating instructions

The following models of the Interroll Cassette type 6C are described in these installation and operating instructions:

- L, U profile (standard versions)
- T, W, and C profile (other versions)

Contents of these installation and operating instructions

These installation and operating instructions contain important notes and information about the various operating phases of the cassette.

The installation and operating instructions describe the cassette at the time of its initial delivery by Interroll.

In addition to these installation and operating instructions, special contractual agreements and technical documents apply to special versions.

Installation and operating instructions are part of the product

- ▶ For trouble-free, safe operation and warranty claims, read the installation and operating instructions first and follow the instructions.
- ▶ Always keep the installation and operating instructions in the vicinity of the cassette.
- ▶ Pass the installation and operating instructions on to any subsequent operator or user.
- ▶ **NOTICE! The manufacturer does not accept any liability for faults or defects due to non-observance of these installation and operating instructions.**
- ▶ If you still have questions after reading the installation and operating instructions, please contact Interroll customer service. Contact persons close to you can be found on the Internet under www.interroll.com/contact.

Introduction

Warning notices in this manual

The warning notices refer to risks that may arise while using the cassette. They are available at four danger levels with the following signal words:

Signal word	Meaning
DANGER	Identifies a danger with high risk that can lead to death or serious injury if it is not avoided.
WARNING	Identifies a danger with medium risk that can lead to death or serious injury if it is not avoided.
CAUTION	Identifies a danger with low risk that can lead to minor or medium injury if it is not avoided.
NOTICE	Identifies a danger that can lead to property damages.

Symbols



This symbol marks useful and important information.

Requirement:

- This symbol represents a prerequisite to be met prior to assembly and maintenance work.
- ▶ This symbol marks the steps to be carried out.

Safety

General safety instructions

The cassette is designed according to the state of the art and is reliable in operation, once distributed. However, risks may still arise:

- Danger of death or risk of physical injury to the user or bystanders.
- Adverse effects on the cassette and other facts.



Disregarding the notices in these installation and operating instructions may lead to life-threatening injury.

- ▶ Always read the entire installation and operating instructions with the safety instructions before starting to work with the cassette and follow the notices.
- ▶ Only instructed and qualified persons may work with the cassette.
- ▶ Always keep these installation and operating instructions on hand when working on the cassette so that you can consult them quickly if required.
- ▶ Always comply with relevant national safety regulations.
- ▶ If you have any questions after reading these installation and operating instructions, feel free to contact the Interroll customer service: www.interroll.com/contact

Intended use

The Interroll 6C cassette is designed for installation purposes and mainly intended for use in supermarket checkout counters, reverse vending machines or for integration in other OEM machinery. The belt conveyor is supplied as a complete modular unit and equipped with a drum motor – tested and ready to be installed.

Any other use is not permitted. Operating conditions that deviate from those specified require new contractual agreements.

Unintended use

Use of the belt conveyor system is only allowed in the areas described under product information.

Any modifications that affect the safety of the product are not permitted.

The cassette may not be used to transport persons or bulk goods.

Applications not in accordance with the intended use of the belt conveyor system require approval from Interroll.

Safety

Personnel qualification

Unqualified personnel cannot recognize risks and, as a result, is subject to greater dangers.

- ▶ Authorize only qualified personnel with the activities described in these installation and operating instructions.
- ▶ The operating company must ensure that the personnel follows locally applicable regulations and rules during their work with regard to safety and dangers.

The following target groups are addressed in these installation and operating instructions:

Operators	Operators have been instructed in the operation and cleaning of the cassette and follow the safety guidelines.
Service personnel	The service personnel features a technical training and performs the maintenance and repair tasks.
Electricians	Persons working on electrical installations must have the pertinent technical training.

Dangers



The following list provides information about the various types of danger or damage that may occur while working with the cassette.

Bodily injury	<ul style="list-style-type: none"> ▶ Maintenance or repair work must only be executed by authorized and qualified persons in accordance with the applicable regulations. ▶ Before turning on the cassette, ensure that no unauthorized persons are near the conveyor.
Electricity	<ul style="list-style-type: none"> ▶ Only perform installation and maintenance work after you have switched off the power. Ensure that the drum motor cannot be turned on accidentally. ▶ Do not remove protective covers or housings.
Rotating parts	<ul style="list-style-type: none"> ▶ Do not insert fingers between the drum motor and the belt as well as other moving parts of the cassette. ▶ Do not remove motor and roller side covers. ▶ Tie long hair together. ▶ Never wear loose clothing. ▶ Remove jewelry such as bracelets or wristbands.
Working environment	<ul style="list-style-type: none"> ▶ Remove equipment or material that is not required from the workspace. ▶ Wear safety shoes. ▶ Clearly specify and monitor the way goods are placed on the cassette. ▶ Establish a safety zone where goods can fall down. ▶ Do not touch the cassette while it is running.
Faults during operation	<ul style="list-style-type: none"> ▶ Regularly check the cassette for visible damage. ▶ In case of fumes, unusual noise or blocked or damaged goods, defective supports, side guides or accessory appliances, stop the cassette at once and ensure that it cannot be started accidentally. ▶ Contact qualified personnel immediately to find the source of the fault.

Safety

- ▶ Clean up any leaked motor oil immediately.
- ▶ During operation, do not step on the cassette.

Maintenance

- ▶ Carry out maintenance and inspections regularly.
- ▶ Only use Interroll original spare parts.

Interfaces to other devices

When installing the cassette into a system (e.g. with other cassettes), potential hazards may occur. These are not described in this manual and must be analyzed during the design, installation and startup of the corresponding system.

1. After installing the cassette in a cassette system or similar equipment, check the entire system for any new potentially dangerous conditions prior to turning on the equipment, especially at the end roller and at the idler pulley, where cuts and crushing may occur.
2. If necessary, implement further constructional measures.

A transition profile can be fitted to eliminate danger zones.



Safety

Operating modes

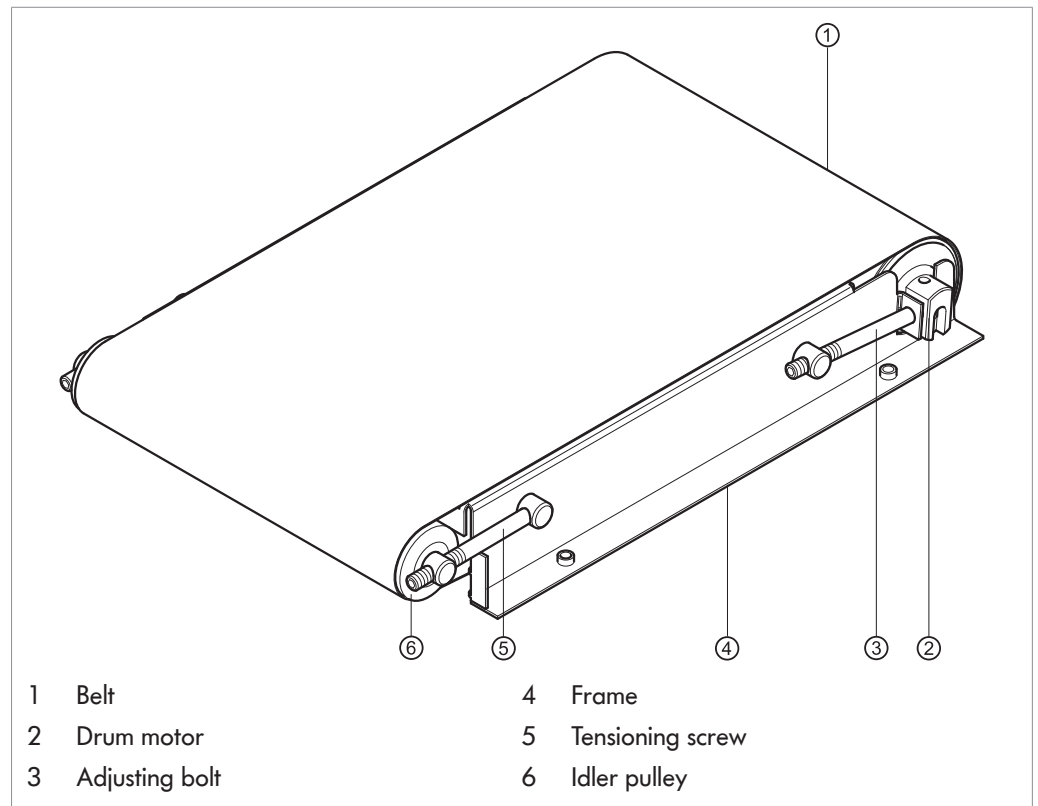
Normal operation Operating mode when installed as a cassette in a cassette system

Special mode Special operation refers to all operating modes which are required to guarantee and maintain regular operation.

Special operating mode	Explanation	Comment
Transport/Storage	Loading and unloading, transport and storage	-
Assembly/Initial start-up	Installation at the end customer and performing the test run	-
Cleaning	External cleaning without removing protective devices	When de-energized
Maintenance/Repairs	Maintenance and inspection tasks	When de-energized
Troubleshooting	Troubleshooting in the event of a fault	-
Fault elimination	Eliminating the fault	When de-energized
Shutdown	Removing from the complete system	When de-energized
Disposal	Removing from the complete system and disassembly	When de-energized

Product information

Components



Properties

The Interroll cassette is a drive system to convey goods in supermarket checkout stations and in equipment used in supermarkets, such as reverse vending machines.

The Interroll cassette system includes the patented **quick tension/release idler system** for easy installation and change of the Cassette belt and other parts.

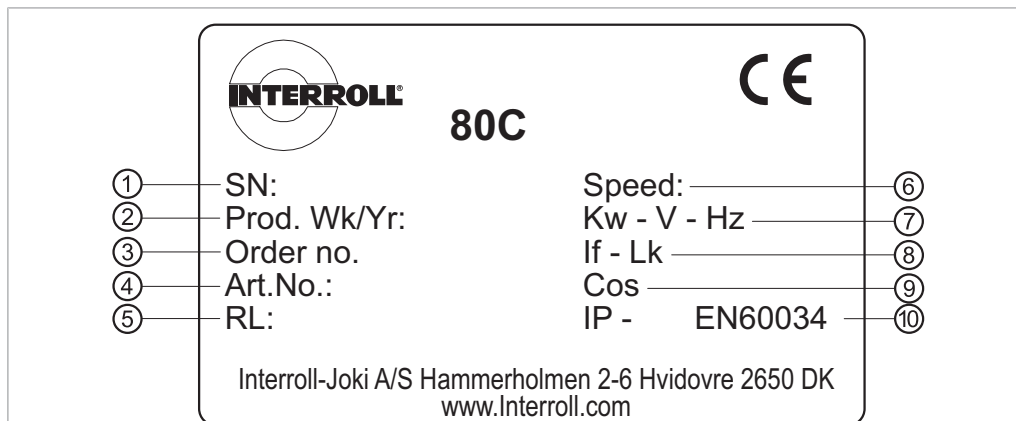
The Interroll cassette system is available in numerous sizes and variants e.g.:

- With the drum motor at the end or in the middle
- As an incline / decline Cassette within set limits
- With a central drive and small diameter **SegRoll** idler pulleys at both ends

Product information

Type plate

The specifications on the type plate for the drive (drum motor) are used to identify the motor. It is located close to the drive. This is the only way for the drum motor to be used properly.




Type plate for drum motor 80C

- | | | | |
|---|--------------------------|----|---|
| 1 | Serial number | 6 | Drum speed |
| 2 | Production week and year | 7 | Rated power - rated voltage and frequency |
| 3 | Reference number | 8 | Rated current/blocked motor current |
| 4 | Article number | 9 | Power factor |
| 5 | Roller length | 10 | Protection rating |

Product information

The specifications on the type plate for the cassette are used for identification of the cassette. The type designation is required for correct application of the cassette.



INTERROLL®
Cassette Series

CE

④	SN:	Speed: _____	⑤
③	Prod. Wk/Yr:	Weight load _____	⑥
②	Art.No.:	Length _____	⑦
①	Belt length:	Width _____	⑧
		Belt width _____	⑨

Interroll-Joki A/S Hammerholmen 2-6 Hvidovre 2650 DK
www.Interroll.com

Example of type plate for the cassette

1 Serial number	6 Weight of load
2 Production week and year	7 Length C/C
3 Article number	8 Width EL
4 Belt length	9 Belt width
5 Belt speed	

Product information

Product identification

To identify a cassette, the following information is required.

	6	C	1	U	5	X	X	-	RL
	①		②	③	④	⑤		-	⑥
1	Type No.								
2	Drive diameter				1 = 113 mm 5 = 50 mm 8 = 80 mm				
3	Cassette type				U, L, CD = standard versions T, W, C = other versions				
4	Idler pulley diameter				0 = 0 to 9 mm (knife edge) 2 = 20 to 29 mm 3 = 30 to 39 mm 4 = 40 to 49 mm 5 = 50 to 59 mm				
5	Consecutive numbering								
6	RL				Roller length of drive (drum motor)				

Product information

Technical data

Cassette 6 M	
Version	U, L and CD design (standard models) T and C versions (other models) Standard: idler pulley belt tensioning Standard: drum motor belt adjustment (one side only, left is standard see "Product identification", page 14)
Load capacity	Small: 0 to 50 kg Middle zone: 50 to 100 kg Large: 100 to 150 kg
Cassette belt speed	Standard: 0.15; 0.17; 0.19 Optional: 0.11, 0.13, 0.21, 0.23, 0.25, 0.28, 0.30, 0.34 On request: < 0.10; > 0.34
Cassette size	Min. length C/C: 500 mm Max. length C/C: 2,980 mm Min. width EL: 300 mm Max. width EL: 700 mm Recommended minimum length/width ratio = 2 On request: length > 2,980 mm; width > 700 mm
Incline/decline	Available on request
Ambient temperature	Operation: +10 to +40 Storage: +10 to +50
Humidity	Max. 90 %, non-condensing
Noise level	Leq < 60 dB(A)
Drive voltage	AC: 1 x 230 V/50 Hz; 3 x 230 V/50 Hz; 3 x 400 V/50 Hz DC: 1 x 24 V Other voltages and frequencies on request
Power	40, 50, 60, 75, 85, 110 W
Drive diameter	50/81/113 mm Other diameters available on request
Diameter of idler pulley	Standard: 50 mm Other diameters available on request
Frame material	Zinc-plated steel
Drive material	Drum motor: tube with surface protection End caps and shaft cap: aluminum Idler pulley: tube zinc-plated or made of polymer segments End caps and caps: technopolymer
Belt material	Black PVC/PET, 2 mm, 2-ply Pretensioning of belt 0.1 to 0.3 % Other belt types available on request

Transport and storage

Transport

CAUTION



Improper transport poses a risk of injury.

- ▶ Transport-related tasks should only be carried out by qualified and authorized persons.
 - ▶ Wear safety shoes.
 - ▶ Make sure that the cassette is fixed properly before transport.
-

NOTICE

Risk of damage to the cassette due to improper transport

- ▶ Avoid serious impacts during transport.
 - ▶ Do not transfer the cassette between warm and cold environments. This may cause water condensation and may damage the drum motor.
-

- ▶ Check each cassette for damage after transport.
 - ▶ In the event of damage, take photos of the damaged parts.
 - ▶ Report any damage caused by transport immediately to the transport company and Interroll, to maintain warranty.
-

Storage

CAUTION



Risk of injury due to improper storage

- ▶ Do not place other objects on the cassette.
 - ▶ Check the stability of the cassette.
 - ▶ Ensure proper fastening.
-

- ▶ Store the cassette in a clean, dry and closed area between +15 and +30 °C and protect it against humidity and moisture.
- ▶ For storage periods of more than three months rotate the shaft periodically to prevent deterioration of the shaft seals.
- ▶ Check each cassette for damage after storage.

Assembly and installation

Assembly and installation

The cassette is supplied fully pre-assembled at the installation site and must be installed into the final equipment.

The cassette is a subcomponent. The customer has to ensure that the cassette is sufficiently covered and that the entire machine conforms to CE regulations.

WARNING

Danger of death due to live cable ends!

- ▶ Electrical installation should only be carried out by qualified electricians.
- ▶ Disconnect the unit from the power supply.
- ▶ Observe the minimum bend radii of the cables, hoses and wires. Observe correct protection of the cable.
- ▶ Always check cables and assemblies for damage prior to installation.
- ▶ Refer to the drum motor label for connection values.
- ▶ Connect the motor in accordance with EN-IEC 60204-1. Refer to the drum motor manual for wiring information. If the cassette is supplied with an individual plug, also refer to the plug installation guide.
- ▶ Connect the cassette frame to ground.



WARNING

Risk of injury due to incorrect assembly!

- ▶ Assembly must be carried out by qualified persons in accordance with the safety instructions.
- ▶ Ensure that nothing (e.g. any tracking profile attached to the belt) can rub against the cassette. During alignment, ensure that a minimum distance of 5 mm is observed for all operating conditions.
- ▶ After installation, check that passageways are clear of obstacles. If necessary, set up walkways.
- ▶ When integrating the cassette into a system, consider possible danger zones, especially in places where cuts and crushing may occur.
- ▶ Ensure that the cassette is sufficiently covered.
- ▶ Make sure that there is a safety zone at both ends of the cassette where operating personnel or others do not have access (drop-down zone).



Assembly and installation

- ▶ Set the cassette in its desired place. Use a bubble level for this task.
- ▶ Secure the cassette, ensuring it is not twisted or warped during operation.
- ▶ Align the module (see "*Adjusting tension and tracking the belt*", page 22) and ensure there is no contact between moving parts. Belt tracking can be affected if the cassette is incorrectly aligned.



Power is supplied to the cassette either via a CEE plug or by direct installation into a control panel.

Initial startup and operation

Initial startup

WARNING

Risk of injury due to incorrect handling!



- ▶ Check electrical connections and protective equipment.
- ▶ If the cassette is supplied with an individual plug cable for the drum motor, check the plug installation guide supplied with the cassette.
- ▶ Remove items that do not belong to the device from the cassette and belt.
- ▶ Ensure that unauthorized persons are not in the danger zones.
- ▶ Wear safety shoes and suitable work clothes.

- ▶ Do not operate the cassette before it is correctly installed and connected to the power supply, with all rotating parts equipped with or protected by original safety devices.

Checks before the initial startup

The cassette has been factory tested. The belt adjustment and the belt tension are factory set and normally do not have to be changed. However, before the initial startup of the cassette the following procedures must be carried out:

- ▶ If faults occur during initial startup, stop the cassette and adjust the belt setting (see "Adjusting tension and tracking the belt", page 22).
- ▶ Check the direction of travel prior to initial startup. If necessary, correct the direction.



Standard direction of travel of the belt is when the drum motor is pulling the belt and not pushing it. Pushing the belt is allowed, but in this case belt tracking may be more difficult. If the idler pulley is blocked in the direction of travel, the idler and tension system may pop up and belt tension may be lost. A change in belt tension is an indication that something is blocking the idler pulley.

Operation

WARNING

Rotating parts



Crushing and serious injury due to being caught and pulled into the cassette.

- ▶ Do not remove the protective covers.
- ▶ If you have long hair, always wear a hair net.
- ▶ If goods become trapped in the side guides, switch off the cassette and ensure that it cannot be started accidentally, then eliminate the fault.
- ▶ If the idler pulley becomes blocked, switch off the cassette immediately.

Initial startup and operation

Inspections prior to each operation

- ▶ Check the cassette for visible damage. Pay special attention to belt, guides and support stands.
- ▶ Check the drum motor for visible damage.
- ▶ Ensure that no objects are in contact with rotating or moving parts.
- ▶ Ensure that the drum motor can move freely.
- ▶ Ensure that all safety equipment is functioning correctly.
- ▶ Make sure that only authorized persons are in the working area of the cassette.
- ▶ Remove equipment or material that is not required from the workspace.
- ▶ Provide instructions for correct loading of the cassette and monitor their implementation.

Procedure in case of accident or fault

- ▶ Stop the device and ensure that it cannot be started accidentally.
- ▶ In case of an accident: Provide first aid and call for emergency assistance.
- ▶ Inform responsible persons.
- ▶ Have the malfunction repaired by qualified persons.
- ▶ Restart the device only after approval by qualified persons.

Maintenance and cleaning

Cleaning

WARNING

Risk of injuries due to incorrect handling



- ▶ Ensure that the power supply to the cassette has been turned off before cleaning it. Disconnect the power supply and ensure that it cannot be connected accidentally.
 - ▶ Do not remove protective devices.
 - ▶ Wear safety shoes and close-fitting work clothing.
-

- ▶ Only dry clean the belt.
- ▶ Only use suitable cleaning agents.
- ▶ Clean panels on the underside with compressed air.

Maintenance and repair work information

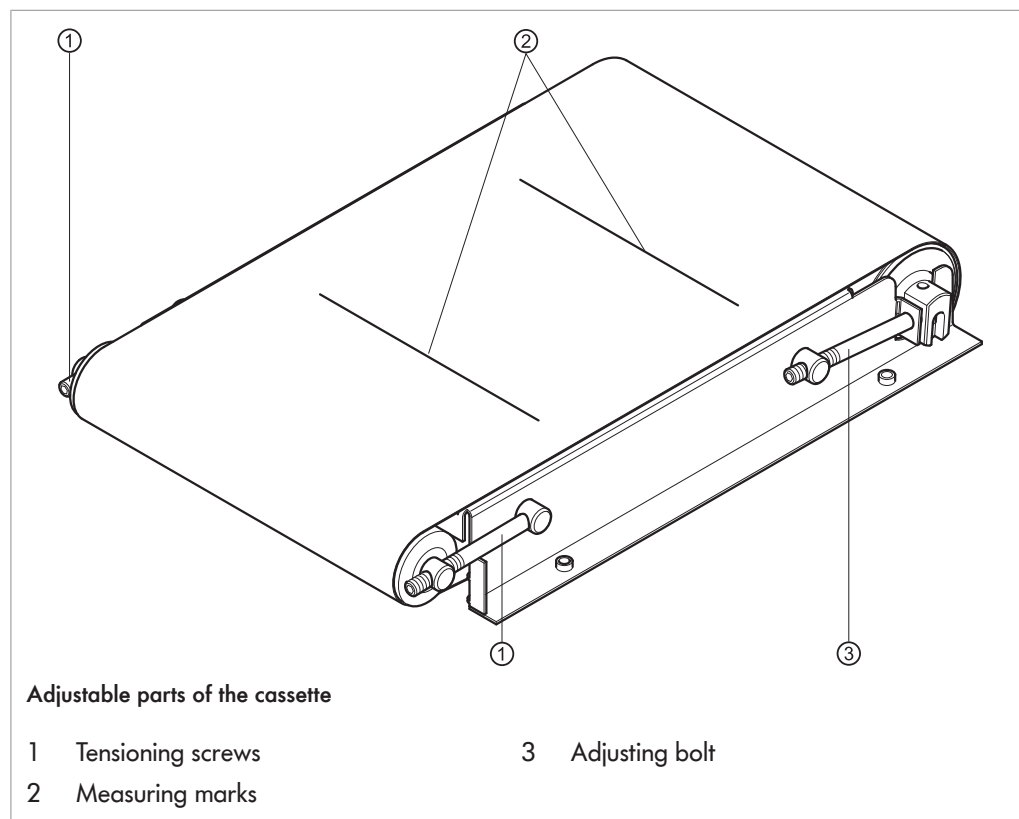
WARNING

Danger of death due to high voltages



- ▶ Switch off the power supply system, ensuring that the device cannot be started accidentally and that the power supply has been disconnected correctly.
 - ▶ Work on electrical appliances should only be carried out by authorized and qualified electricians.
 - ▶ Display signs warning of maintenance and repair work when carrying out tasks.
 - ▶ Close off the area around the cassette.
 - ▶ Inform people entering the closed off area of the risks.
-

Adjusting tension and tracking the belt

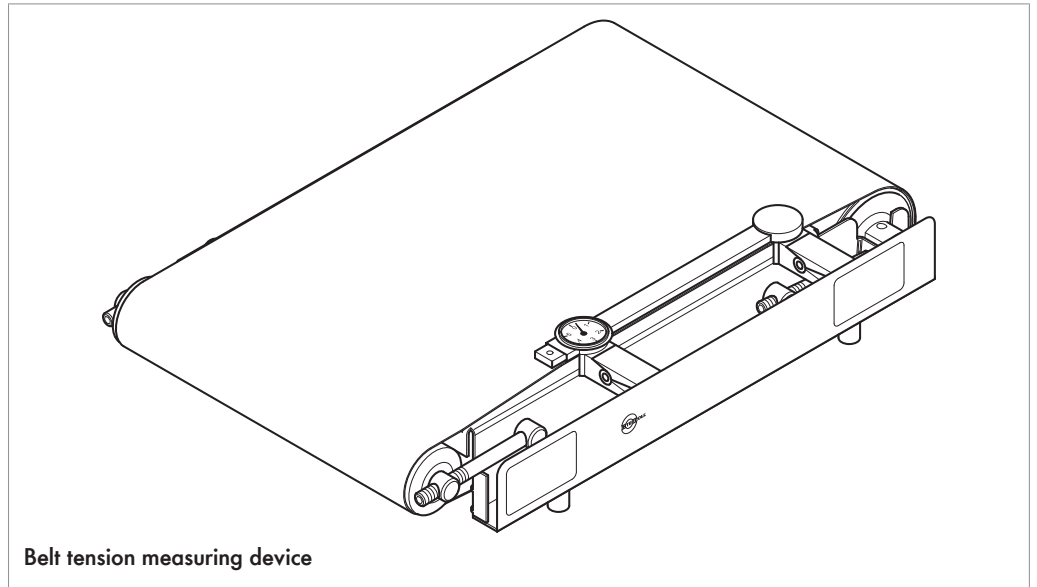


NOTICE

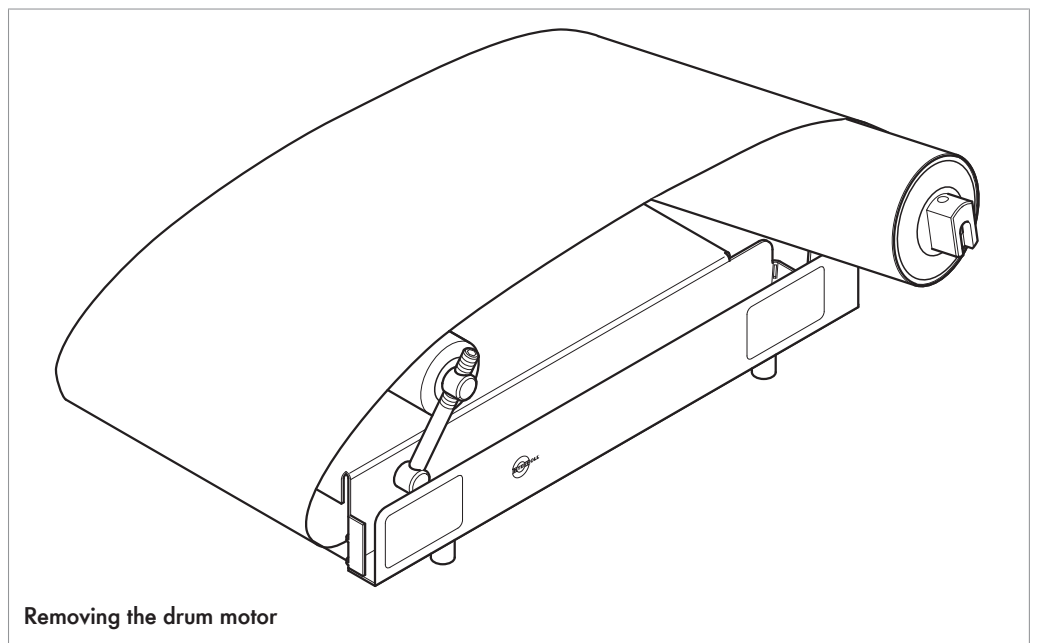
Risk of damaged belts and bearings due to high belt tension

- ▶ Ensure that the tension is set correctly based on the weight of the conveyed goods. The higher the weight, the higher the tension.
 - ▶ Belt tension should not exceed 0.3% of elongation. The typical value is between 0.1 to 0.3%
-
- ▶ To adjust the belt tension, use a belt tension measuring device, or when not tensioned mark two measuring guides (2) on the belt, e.g. at 1,000 mm distance.
 - ▶ Tension the belt by turning the tensioning screws evenly until the elongation is 0.1 to 0.3%. In this example, until the distance is 1001 to 1003 mm.
 - ▶ Easy tensioning: Move the tensioning screws (1) and idler pulley above the center, turn the screws only by hand to push the idler pulley back down in the position below center.
 - ▶ For easy tensioning of the belt, move the tensioning screws (1) and idler pulley up over center. Turn the screws only by hand and move idler pulley back down into position below center.
 - ▶ For easy tracking of the belt, use the adjusting bolt (3) next to the drum motor shaft cap.
 - ▶ If the belt tends to run to the adjusting bolt side, turn the bolt (3) slightly.
 - ▶ If tracking is difficult, it may help to stop the cassette. Loosen the idler quick tension/release system, re-center the belt on the idler pulley/drum motor by hand, and restart the device.

Maintenance and cleaning



Replacing the belt, idler pulley or drum motor



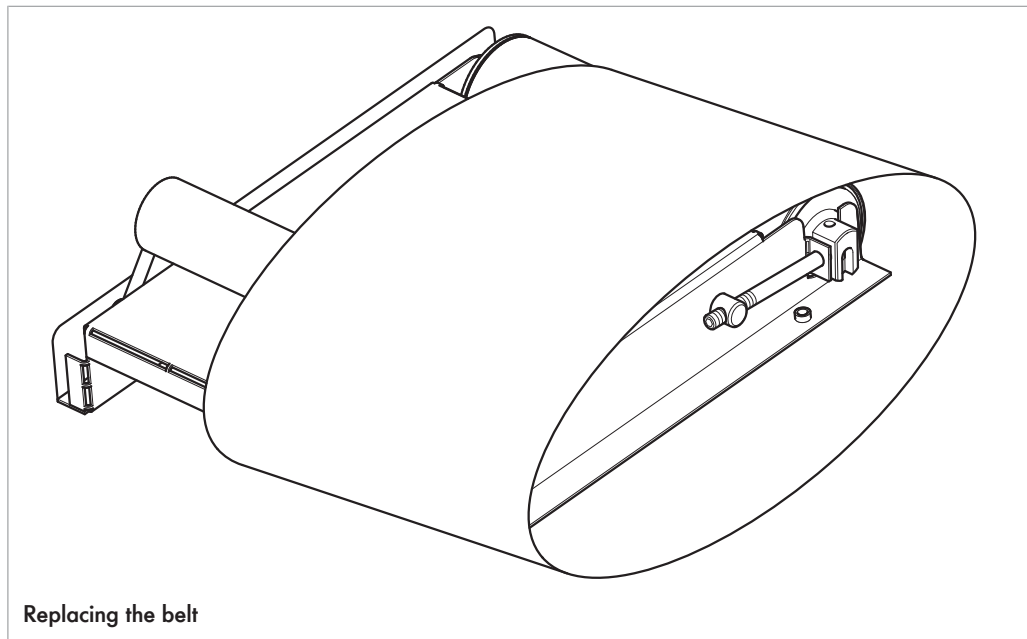
Maintenance and cleaning

Disassembly

- ▶ Disconnect the cassette drum motor from the power supply.
- ▶ Release the quick release/tension idler system.
- ▶ Pull the belt off the frame.
- ▶ Loosen the motor side cover.
- ▶ Lift the motor out of the cassette frame slots. First remove the plug, if the drive is installed with a plug system.
- ▶ Pull out the idler pulley, including the tension screws.

Installing the belt

- ▶ Ensure the cassette is disconnected from the power supply.
- ▶ Reassemble the cassette in reverse order.
- ▶ Adjust tension with the 2 tensioning screws and adjust the belt by adjusting the screw at to the drive shaft cap.
- ▶ Carry out a test run with at least four complete belt turns.



Replacing the belt

Maintenance and cleaning

Maintenance intervals

Refer to the manufacturer’s documentation for information about lubricating intervals and maintenance tasks for the drum motor.

Maintenance and inspection list

Interval	Mach. No./type: Component	Task/inspection
Weekly	Entire cassette	General visual inspection.
Monthly	Entire cassette	Check screw connections. Re-tighten if necessary.
	Drive rollers/end rollers	Listen for noise development/check for damage. Replace if necessary.
	Belt	Check operating behavior and voltage. Adjust if necessary. Check for damage. Replace if necessary. Check belt support end for soiling. Clean as required.
Quarterly	Drum motor	Check drum motor (visual inspection).
		Check cable for damage.
		Check temperature.
		Listen for noise development. Replace if necessary.
		Check for oil loss Check for true running (shaft-mounted geared motor).
Every 6 months	Entire cassette	Check for debris/dirt. Clean as required.

Troubleshooting

Troubleshooting

WARNING

Danger of death due to high voltages



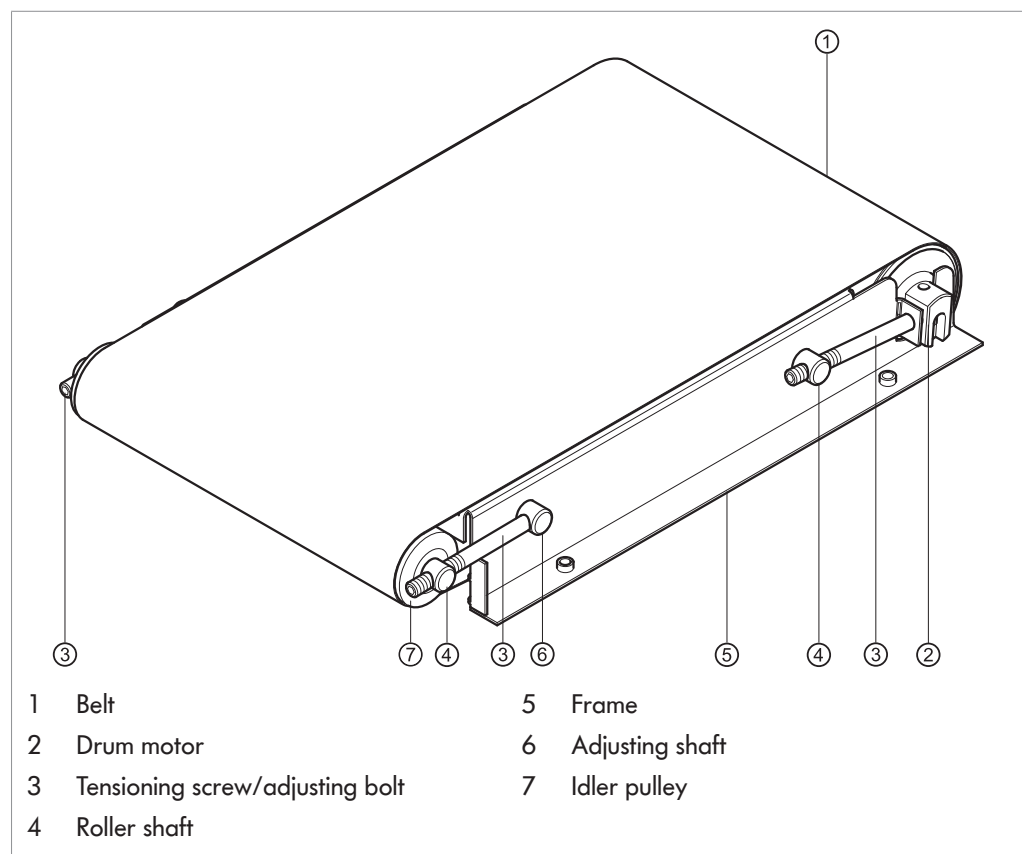
- ▶ Switch off the power supply system, ensuring that the device cannot be started accidentally and that the power supply has been disconnected correctly.
- ▶ Work on electrical appliances should only be carried out by authorized and qualified electricians.
- ▶ Display signs warning of maintenance and repair work when carrying out tasks.
- ▶ Close off the area around the cassette.
- ▶ Inform people entering the closed off area of the risks.

- ▶ Stop the device immediately and ensure that it cannot be started accidentally.
- ▶ Remove the conveyed materials.
- ▶ Always make sure that nobody can be injured before restarting the cassette.
- ▶ Dispose of any leaked oil correctly. If necessary, a specialist must replace the drum motor.

Fault	Cause	Remedy
Transport cannot be started and drum motor is not running	Main switch and/or control switched off; capacitor problem	▶ Check the switch position. If necessary, press the main switch and/or key-operated switch of the control. Check capacitor.
	Belt too loose/transport weight too high	▶ Re-tension the belt Observe maximum weight.
Belt rubs against the side frame	Belt adjustment is not straight	▶ Adjust the belt to run straight
Protective motor switch is triggered by excessive power input	Gear box defective/drive roller bearing defective	▶ Replace defective parts.
	Short circuit	▶ Check electrical connections and replace defective parts.
	Excessive unit load	▶ Observe maximum weight.
Noise development/squeaking/whistling	Bearing defective	▶ Replace bearings.
	Belt rubbing	▶ Remove the cause.

Spare and wear parts

Cassette Spare Parts



Order information

Precise identification of the device is imperative when ordering spare and wear parts, see "Product identification".

The following information is required for an order:

- Art. No.
- Type
- Item number
- Designation
- Comment

Please contact your supplier for further information.

Decommissioning and disposal

Shutdown

CAUTION

Risk of injury due to incorrect handling

- ▶ Shut-down may only be executed by qualified and authorized persons.
 - ▶ Only shut down the drum motor after switching off the power. Ensure that the drum motor cannot be turned on accidentally.
-

- ▶ Disconnect the motor cable from the power supply and motor control.
- ▶ Remove tension on the belt.
- ▶ Remove the retaining plate from the mounting bracket.
- ▶ Remove the drum motor from the cassette frame.

Disposal

- ▶ Adhere to the manufacturer's disposal instructions when disposing of motor oil.
 - ▶ To protect the environment, recycle the packaging.
-

NOTICE



Substances with a water hazard class, such as greases and oils, hydraulic oils, coolants or cleaning agents with solvents may not be allowed to come into contact with the ground or reach the sewer system!

- ▶ Store, transport, catch and dispose these substances in suitable containers!
 - ▶ Observe the notices on the supply containers.
 - ▶ Observe any additional national regulations.
-

The operator is responsible for the proper disposal of the drum motor. In doing so, industry-specific and local regulations must be observed for the disposal of the drum motor and its packaging.

Appendix

Warranty for Interroll Drum Motors and Cassette Systems

Interroll provides a 2-year warranty covering their range of drum motors and cassette systems against faulty workmanship and/or materials from the date of delivery or collection from the factory. The warranty period is based on the regular operation of the product eight hours per day, provided no written agreement to the contrary is in effect.

As part of this warranty, Interroll repairs or replaces any defective product, free of charge, that is returned to the factory before the warranty period expires. The warranty period shall not be extended by repairs performed within the framework of the warranty.

Restrictions

Interroll and its dealers do not assume any liability for shutdowns or damages to the product that are due to the following causes:

- Non-observance of the installation or maintenance notes from Interroll
- Operation of the motor without suitable motor protection
- Not connecting the internal Interroll thermal circuit breaker (if available)
- Damage to the belt from cutting and cuts from sharp objects
- Damage to the belt from improper belt tracking, overtensioning or damage from corrosive fluids
- Reversing the drum motor before the motor has come to a complete stop
- Use of the drum motor outside the specifications stated on the type plate and/or current Interroll catalog or quotation
- Repairs, alterations or modifications to the product by anyone other than a qualified Interroll representative will render this warranty null and void unless such repairs have been previously agreed to in writing by Interroll.

Exceptions

The Interroll warranty excludes any liability for the following damages:

- Damages to the shell lagging or other additional materials through regular wear or incorrect use
- Costs for removal and return shipment of the product to Interroll as part of this warranty
- Damages to other systems that are used in conjunction with the product
- Loss of income, injuries or other costs in conjunction with the failure of the product

Appendix

Installation Declaration

In accordance with the EC Machinery Directive 2006/42/EC, Appendix II 1 B

The manufacturer

Interroll Joki A/S
Hammerholmen 2-6
2650 Hvidovre
Denmark

hereby declares with sole responsibility that the product

- Cassette 6C

fully complies with the safety and health requirements of the Machinery Directive 2006/42/EC Appendix I.

The relevant technical documents according to EC Machinery Directive 2006/42/EC, Annex VII B are available and will be presented to the competent national authorities electronically, if required.

Person authorized to prepare the technical documents: Jan Støvring Jensen, Interroll Joki A/S, Hammerholmen 2-6, 2650 Hvidovre, Denmark.

The partly completed machinery complies with the following EC directives:

- Low Voltage Directive 2014/35/EU
- EMC Directive 2014/30/EU
- RoHS Directive 2011/65/EC

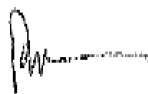
The following harmonized standards were applied:

- EN ISO 12100:2010

Initial startup of the partly completed machinery is not permitted until the partly completed machinery is incorporated into a machinery which complies with the machinery directive. The EC declaration of conformity must be available according to appendix II A.

The EC declaration of conformity must be available according to Machinery Directive 2006/42/EC Annex II 1 A.

April 20, 2016
Hvidovre, Denmark



Anders Staf Hansen
(General Manager)



